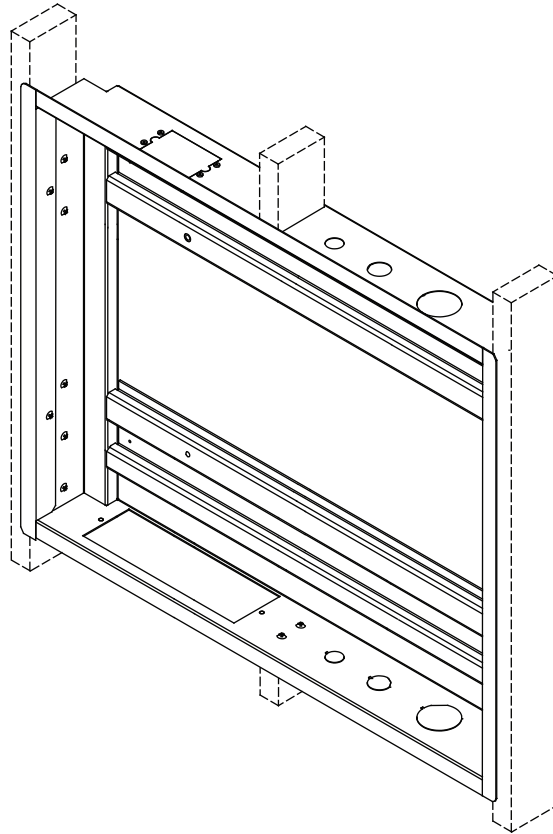


Installation Instructions



INW-AM325 In-Wall Mount

NORTH AMERICA

3130 E. Miraloma Ave.
Anaheim, CA 92806 USA
USA and Canada -
Phone: 800-368-9700
Fax: 800-832-4888
www.mounts.com

EUROPE

Swallow House,
Shilton Industrial Estate,
Shilton, Coventry, England
CV79JY
Phone: +44 (0) 2476 614700
Fax: +44 (0) 2476 614710

AUSTRALIA, NEW ZEALAND, OCEANIA (DISTRIBUTOR)

P.O. Box 295
Mordialloc Victoria 3195
Australia
Phone: 03 9586 6330
www.premiermounts.com.au

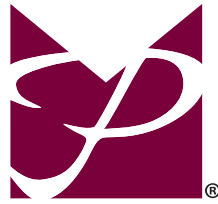


TABLE OF CONTENTS

Warning Statements 3

Parts List 4

Installation Tools 4

Mount Location 5

Wall Cut-Out 5

Attaching the INW-AM325 6

Side Cover Installation 6

In-Wall Electrical Box Installation..... 6

AM3/AM3-B and AM250 Installation 7

Final Installation 7

Technical Specifications 8

Warranty 8

Contact Premier Mounts 8

Notes 8



WARNING

ELECTRICAL SHOCK HAZARD!! Cutting or drilling into electrical wires and cables can cause DEATH or SERIOUS PERSONAL INJURY! Always make certain the area behind the mounting surfaces is free of electrical wires and cables before cutting, drilling, or installing the in-wall box



WARNING

EXPLOSION AND FIRE HAZARD! Cutting or drilling into gas plumbing can cause DEATH or SERIOUS PERSONAL INJURY! Always make certain the area behind the mounting surface is free of gas, water, waste, or any other plumbing before cutting, drilling, or installing the in-wall box.



WARNING

STRUCTURAL FAILURE HAZARD! Ensure removal of center stud will not cause unacceptable loss of structural strength. Consult a qualified building contractor and applicable building codes. Failure to take adequate precautions can cause DEATH or SERIOUS PERSONAL INJURY!



Warning Statements



THE WALL STRUCTURE MUST BE CAPABLE OF SUPPORTING AT LEAST A MINIMUM WEIGHT OF 250 LBS. IF NOT, THE WALL MUST BE REINFORCED. PROPER INSTALLATION PROCEDURE BY A QUALIFIED SERVICE TECHNICIAN, AS OUTLINED IN THE INSTALLATION INSTRUCTIONS, MUST BE ADHERED TO. FAILURE TO DO SO COULD RESULT IN SERIOUS PERSONAL INJURY, OR EVEN DEATH.



SAFETY MEASURES MUST BE PRACTICED AT ALL TIMES DURING THE INSTALLATION OF THIS PRODUCT. USE PROPER SAFETY GEAR AND TOOLS FOR THE INSTALLATION PROCEDURE TO PREVENT PERSONAL INJURY.



PRIOR TO THE INSTALLATION OF THIS PRODUCT, THE INSTALLATION INSTRUCTIONS SHOULD BE READ AND COMPLETELY UNDERSTOOD. THE INSTALLATION INSTRUCTIONS MUST BE READ TO PREVENT PERSONAL INJURY AND PROPERTY DAMAGE. KEEP THESE INSTALLATION INSTRUCTIONS IN AN EASILY ACCESSIBLE LOCATION FOR FUTURE REFERENCE.



Indicates that the power plug is to be disconnected from the power outlet.



Safety precautions must be taken at all times.



Warning and Caution statements.



A secure structure must support the weight, or load, of the display. When mounting to a wall that contains wooden studs, dead center of the wooden stud must be confirmed prior to installation.



Do not install on a structure that is prone to vibration, movement or chance of impact. Failure to do so could result in damage to the display and/or damage to the mounting surface.



Do not install near heater, fireplace, direct sunlight, air conditioning or any other source of direct heat energy. Failure to do so may result in damage to the display and could increase the risk of fire.



At least two qualified people should perform the installation procedure. Injury and/or damage can result from dropping or mishandling the display.



Recommended mounting surfaces: wooden studs and solid-flat concrete. If the mount is to be installed on any surface other than wooden studs, use suitable hardware (which is commercially available).



Contact Premier Mounts with any technical/ installation questions.



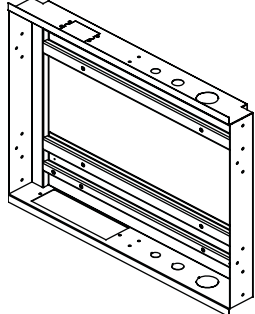
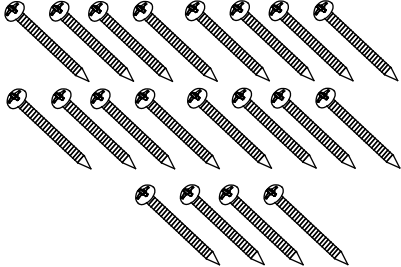
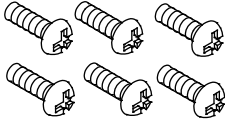
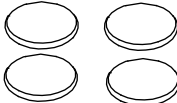
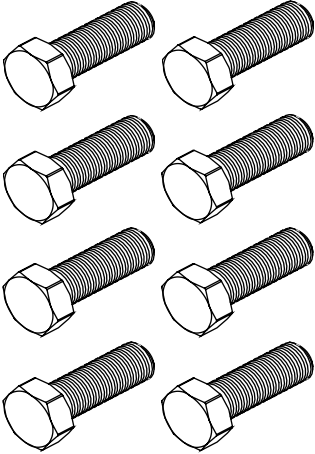
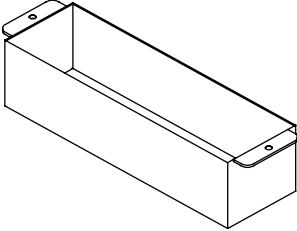
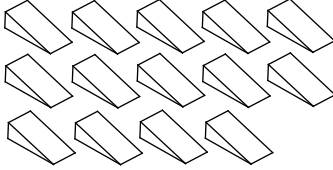
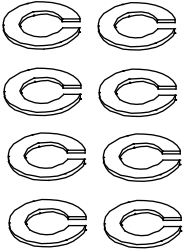
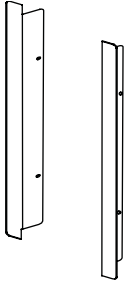
Parts List



NOTE This mounting box is shipped with all installation hardware and components. Make sure that none of these parts are missing and/or damaged before beginning installation. If there are parts missing and/or damaged, please stop and contact Premier Mounts - (800) 368-9700.



NOTE It is strongly recommended that a licensed electrician supply wire and power to the INW-AM325. Pre-wiring must be complete prior to installing the INW-AM325.

<p>INW-AM325 (Qty 1)</p> 	<p>#14 x 1-1/4" Wood Screws (Qty 20)</p> 
<p>6-32 x 1/2" Phillips Screws (Qty 6) - For use with electrical box installation (see NOTE above)</p> 	<p>1/16" Clear Bumper Pad (Qty 4)</p> 
<p>5/16 x 1/2" Hex Head Bolt (Qty 8)</p> 	<p>In-Wall Electrical Box (Qty 1)</p>  <p>1/4" Wood Shims (Qty 14)</p> 
<p>Split Lock Washer (Qty 8)</p> 	<p>INW-AM325 Side Covers (Qty 2)</p> 

Installation Tools

Portable Drill

Level

Drywall Saw

Stud Finder (Commercially Available)

Rubber Mallet (Commercially Available)

Pencil

Tape Measure

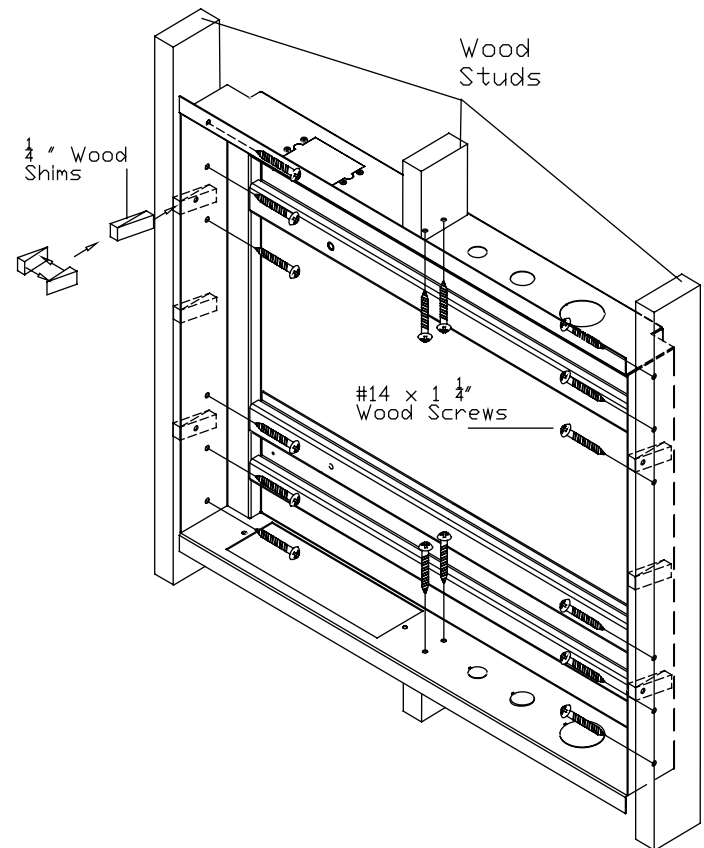
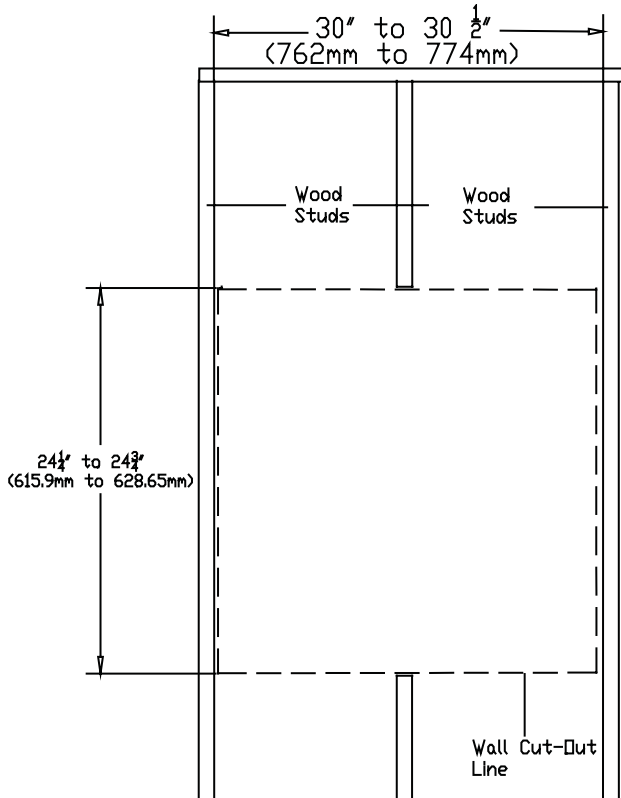
Ratchet with 14mm Drive Socket

Phillips Head Screwdriver



Mount Location

- WARNING** Always make certain the area behind the mounting surface is free of electrical wires, cables, and pipes before cutting, drilling, or installing the mounting screws.
- NOTE** It is strongly recommended that a licensed electrician supply wire and power to the in-wall mounting box. Prior to installing the INW-AM325, please complete all wiring and allow for the appropriate amount of slack.



Wall Cut-Out

1. Determine where the location of the mount/display will be.

NOTE While installing the INW-AM325, you will possibly come into contact with electrical wires, plumbing, and insulation. Take the necessary precautions before proceeding with this installation.

2. Use a stud finder (commercially available) to locate the wood studs that will be used for the installation. Mark the stud locations with a pencil.
3. Center and level the INW-AM325 between the marked studs. Using the INW-AM325 as a template, draw a pencil line completely around the housing.
4. Cut the drywall on the outside edge of the line and remove the drywall. Make sure that the cut is flush and even with the vertical wall stud.

NOTE Use a saw to cut out the center stud.

5. Remove the center stud, making sure beforehand that the center stud is not still attached to the opposite wall.

Attaching the INW-AM325

NOTE All existing wires must be moved and anchored to either side of the mounting area (attach in a corner where the wood stud and the rear wall surface connect).

1. Place the INW-AM325 in the opening.
2. Place six (6) 1/4" wood shims on each side of the INW-AM325 (between the INW-AM325 and the wood stud).
3. Insert the sixteen (16) #14 x 1-1/4" wood screws into the mounting points. Do not overtighten these screws.

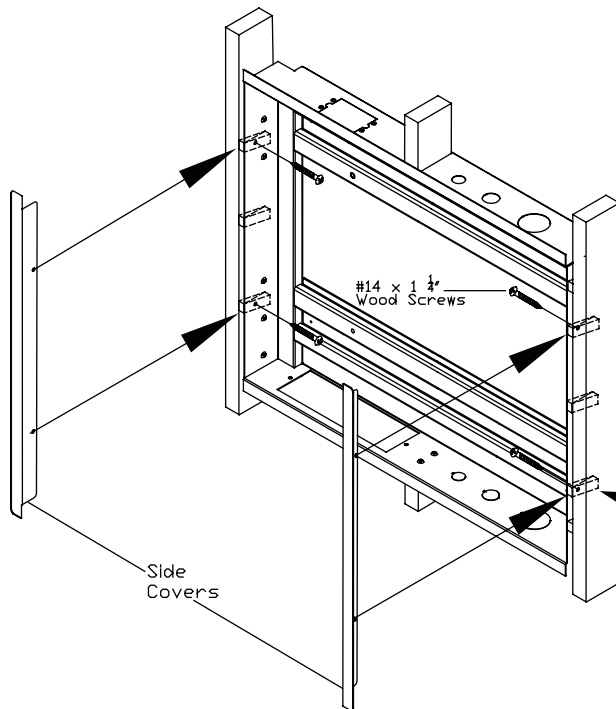
NOTE The wood shims must be placed between the wood stud and the INW-AM325. Please refer to the figure above for correct placement of the wood shims. Use wood shims as required.

NOTE The purpose of the wood shims is to help center the unit, as well as provide a tight fit when all the wood screws are tightened down. Use as many shims as it takes to ensure that the box is level and centered.

4. Once the wood shims are inserted, tighten down all of the wood screws.



Side Cover Installation



INW-AM325 Installation Complete



NOTE

When attaching the side covers, make sure that the 1/4" wood shims are in line with the side cover mounting holes. If the wood shims split while attaching the wood screw, don't panic. These wood shims have been designed to split in half to cover more area.

1. To attach the side covers, use four (4) #14 x 1-1/4" wood screws to attach the side covers.
2. Line up the mounting holes on the side covers with the mounting holes that are located on the INW-AM325.
3. Once the mounting holes are aligned, insert the four (4) #14 x 1-1/4" wood screws and tighten.

In-Wall Electrical Box Installation

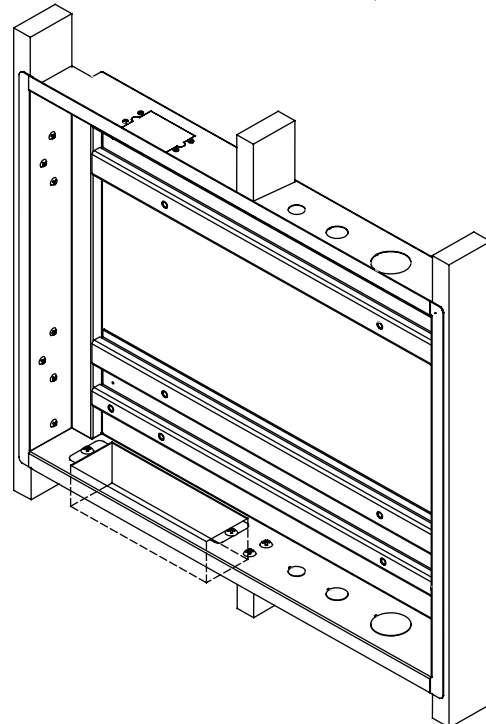
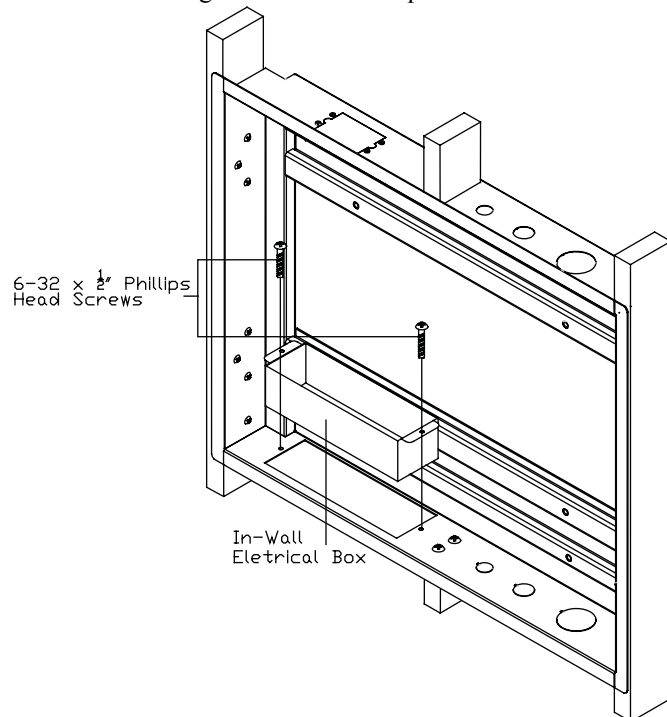


NOTE It is best to have a professional install this product.



NOTE It is strongly recommended that a licensed electrician be hired to supply wire and power to the in-wall mount. Wiring must be ran prior to installing the INW-AM325. The cutout in the mounting box is sized to accommodate a standard RACO junction box. Route all audio/ visual cables and power wires through the cutouts.

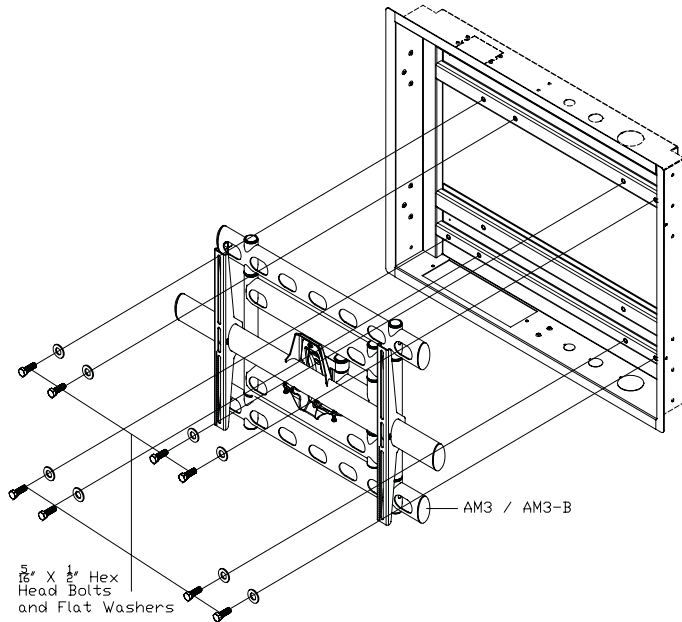
1. Use two (2) 6-32 x 1/2" Phillips screws to attach the electrical box to the mounting box.
2. The remaining 6-32 x 1/2" Phillips screws will be used to attach the electrical outlet to the electrical box (see **NOTE** above).



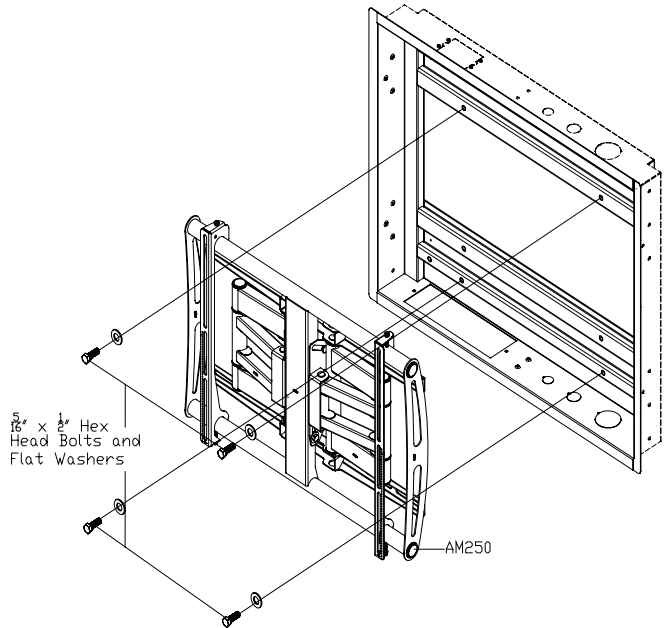


AM3/AM3-B and AM250 Installation

NOTE See the AM3/AM3-B and AM250 Installation Instructions for further instructions.



AM3/AM3-B



AM250

1. Use eight (8) 5/16" X 1/2" hex head bolts and eight (8) lock washers to attach the AM3 / AM3-B to the INW-AM325.
2. Tighten using a socket wrench.

1. Use four (4) 5/16" X 1/2" hex head bolts and four (4) lock washers to attach the AM250 to the INW-AM325.
2. Tighten using a socket wrench.

Final Installation

NOTE See the AM3/AM3-B and AM250 Installation Manuals for further instructions.

NOTE Place four (4) 1/16" clear bumpers on the mount where the mount comes into contact with either the wall surface or the INW-AM325.

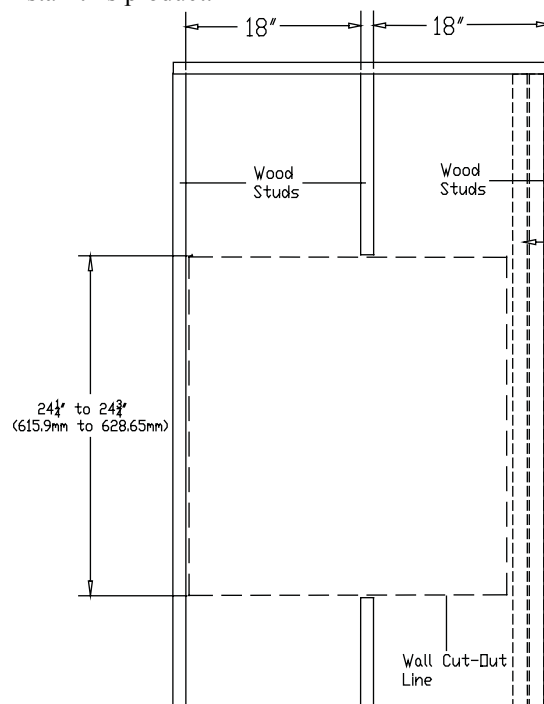
Special Applications

The following instructions cover special applications. If the stud spacing is more than 16" (i.e. 18", or stud location), the wall must be re-inforced. The illustration below will cover how this is done. All previous **WARNING:** statements apply.

NOTE It is best to have a qualified professional install this product.

1. Measure from the wood stud to the edge of the in-wall box.
2. To make up the distance from the edge of the in-wall box to the wood stud, spacer boards must be used.
3. Attach the first spacer board using commercially available 3" wood screws.
4. Re-measure the distance from the spacer board to the edge of the in-wall box. If the distance is greater than 2.5", attach another spacer board.
5. Please use the supplied wood shims to finish the installation of the in-wall box (please refer to **Attaching the INW-AM325**, page 5).

NOTE It is strongly recommended that the AM3 pivot point (the side the arm is attached to) be mounted on the side that **DOES NOT** have the spacer boards. The AM3 should be mounted as tightly as possible against the wooden wall stud.

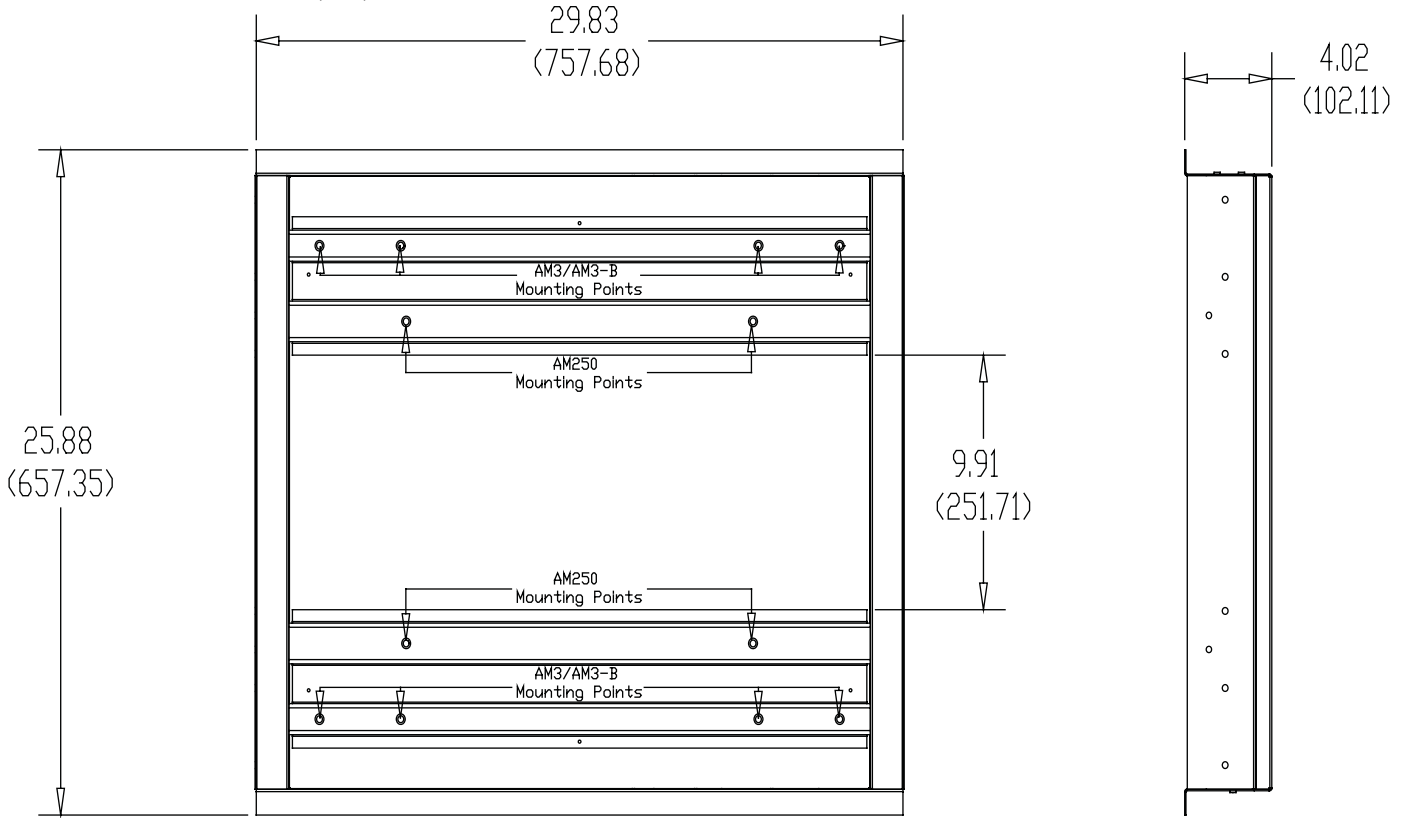


NOTE: Attach 2"x4" spacer boards as needed. Please be sure that a full length spacer board is used for this application.



Technical Specifications

All measurements in inches/(mm).



Warranty

Limited Lifetime Warranty

All Premier Mounts products carry a limited lifetime warranty from ship date against defects in materials and workmanship. Premier Mounts is not liable for improper installation that results in damage to mounts, adapters, display equipment or personal injury. Any modification to the existing mount will void the manufacturers' warranty.

DISCLAIMER OF WARRANTY.

THE FOREGOING WARRANTY IS IN LIEU OF ALL OTHER WARRANTIES, EXPRESS OR IMPLIED, INCLUDING BUT NOT LIMITED TO THE IMPLIED WARRANTIES OF MERCHANTABILITY AND FITNESS FOR A PARTICULAR PURPOSE.

Contact Premier Mounts

In the event of missing and/or damage equipment, or technical questions, the following information can help in the completion of the installation.

Customer Service - (800) 368-9700

Technical Support - techsupport@mounts.com

Notes

NORTH AMERICA

3130 E. Miraloma Ave.
Anaheim, CA 92806 USA
USA and Canada -
Phone: 800-368-9700
Fax: 800-832-4888
www.mounts.com

EUROPE

Swallow House,
Shilton Industrial Estate,
Shilton, Coventry, England
CV79JY
Phone: +44 (0) 2476 614700
Fax: +44 (0) 2476 614710

AUSTRALIA, NEW ZEALAND, OCEANIA (DISTRIBUTOR)

P.O. Box 295
Mordialloc Victoria 3195
Australia
Phone: 03 9586 6330
www.premiermounts.com.au